

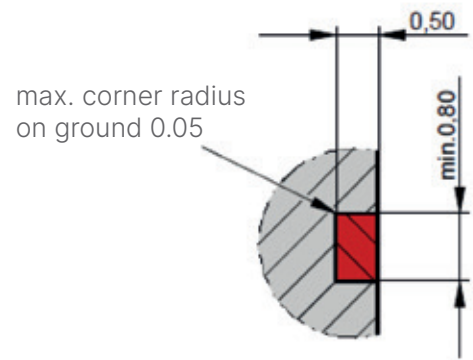
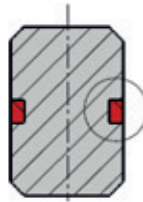
ART-tech® colour markings

Correct preparation is necessary

ART-tech® can be inserted as a colour ring, colour point or freeform. In each case, the insertion of ART-tech® requires correct preparation of the immersion. Only if this is the case does ART-tech® meet the highest standards for durability, longevity and colour brilliance. We fill up the immersion with ART-tech® Material flush up to the other component surface.

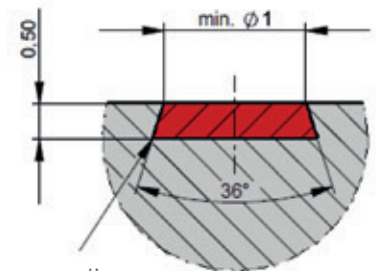
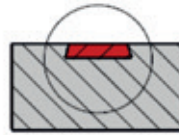
Colour ring requirements

- Depth 0.5 mm (Ø 1.0 mm)
- No phase or radius
- Sharp-edged
- Burr-free



Colour point or freeform requirements

- 18° circumferential sheet bend
- Depth 0.5 mm
- No phase or radius
- Sharp-edged
- Burr-free



max. corner radius
on ground 0.05

General information

Immersion corrections (e.g. DLC) may have an effect on the appearance of the colour and adhesion. ART-tech® is resistant to common cleaning methods. It is generally possible to subsequently process it with glass bead blasting, subsequent grinding, electropolishing or passivation. However, please test that the colour marking meets your personal requirements.

Please do not hesitate to contact us should you have any questions.



Jörg Schneider

+49 (0) 7426 9494 44
js@hegedues.de