

# ART-tech® colour markings

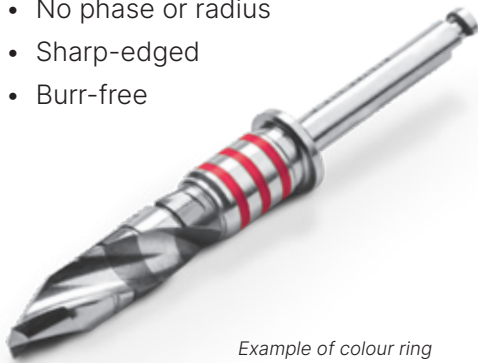
## Correct preparation is necessary

ART-tech® can be inserted as a colour ring, colour point or in freeform. In each case, the insertion of ART-tech® requires a suitable recess in the component. Only when this condition is met does ART-tech® meet the highest standards for durability, longevity and colour brilliance. We fill the recess with ART-tech® material flush to the component surface.

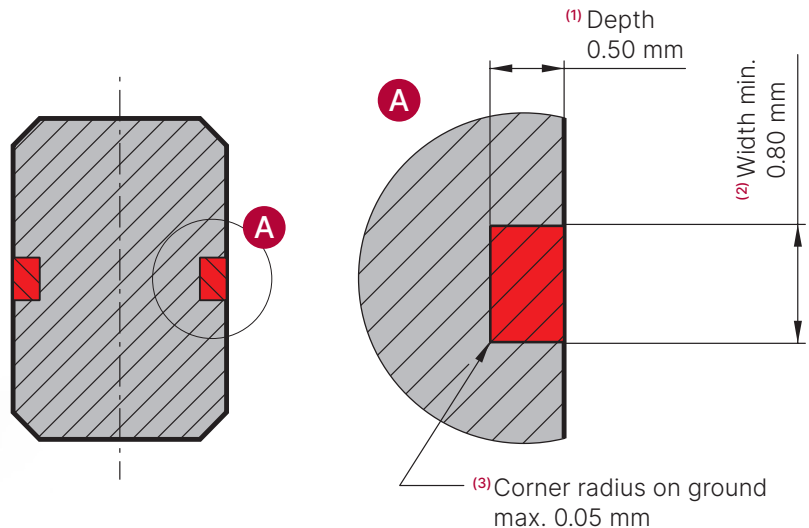
## Colour ring

### Requirements:

- Depth 0.50 mm <sup>(1)</sup>
- Width min. 0.80 mm <sup>(2)</sup>
- Corner radius on ground max. 0.05 mm <sup>(3)</sup>
- No phase or radius
- Sharp-edged
- Burr-free



Example of colour ring



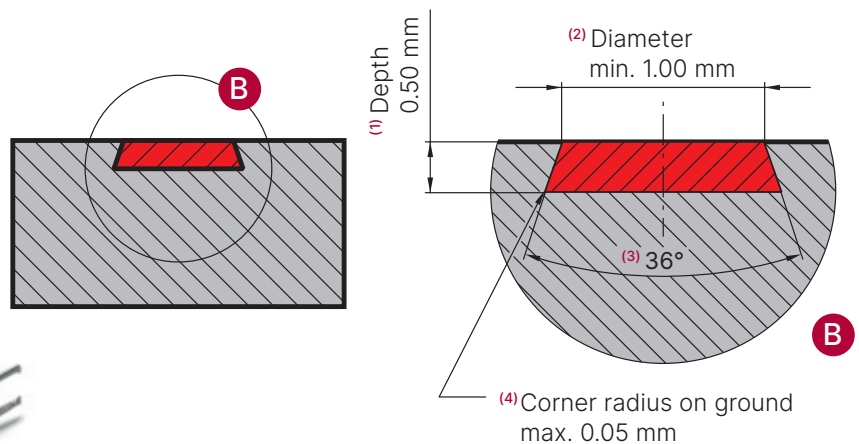
## Colour point or freeform

### Requirements:

- Depth 0.50 mm <sup>(1)</sup>
- Diameter min. 1.00 mm <sup>(2)</sup>
- Backstitch of 36° <sup>(3)</sup>
- Corner radius on ground max. 0.05 mm <sup>(4)</sup>
- No phase or radius
- Sharp-edged
- Burr-free



Example of colour point or freeform



# ART-tech® colour markings

## General information

Coatings in the recess (e.g. DLC) may affect the appearance of the colour. ART-tech® is resistant to common cleaning methods. Post-processing through blasting, grinding, polishing (either electronically or mechanically), or passivation is generally possible. However, we ask you to test the colour marking against your personal requirements.

Please do not hesitate to contact us should you have any questions.



**Jörg Schneider**  
+49 (0) 7426 9494 44  
js@hegedues.de

## Discover the world of ART-tech®



Drill bits



Scales



Bushings



Instrument



Gauges



Instrument



Inserts



Guides